

QUICKJACK™



PATENTED

The ultimate portable vehicle jack system.

Brand: QuickJack™ by Ranger Products™

Model: BL-5000SLX

Description: QuickJack™ Car Jack Support System

The QuickJack BL-5000SLX is a 5,000-pound capacity portable car jack system that can be easily transported. Take it to the track or drop it on your garage floor to perform routine maintenance fast and easy. Simply position the lightweight jack frames under the vehicle, push the raise button on the remote hand-held pendant control and in less than a minute the entire car is almost two-feet off the ground, ready for tire changes, chassis tuning or other maintenance.

Our new and improved BL-5000SLX features a welded-steel reinforced upper box frame with cantilevered rubber block trays for increased rubber block reach. Not only do the extended trays allow for better functionality, they also allow the contact blocks on the trailing side of the lifting frames to be positioned closer to the wheels during set-up. The enhanced BL-5000SLX features dual-position safety locks that engage automatically as the lift rises. A quick flip of the lock bar disengages the safeties for a smooth hands-free descent.

Complete package includes: (2) ea. jack frame assemblies, (2) ea. 150" hydraulic hoses, (2) ea. 14" aux. hoses, (2) ea. quick-mount handles, (4) ea. 1.5" x 3" x 4" rubber lifting blocks, (4) ea. 3" x 3" x 4" rubber lifting blocks, (1) mini hydraulic power unit with pendant control.

A long list of design features...

- 5,000-pound capacity
- From stow to go in less than 60-seconds
- Dual-position automatic safety lock bars engage automatically as the lift rises
- Dual locking positions – mid level and full rise
- Extended, cantilevered rubber block trays provide increased rubber block reach
- Portable power unit features a remote push-button control for simple operation.
- Steel mounted UHMW wheels provide effortless rolling of jack frames on floor
- Remote pendant control features a 13-foot cord
- Power unit features a built-in hydraulic flow divider for precise equalized lifting
- Open-center design for clear undercar access
- Quick-connect/disconnect hoses for fast and convenient set-up
- Convenient handles allow for easy positioning of the jack frames
- Strong 14-gauge welded steel frames
- It's a jack you can use when you need it then conveniently store out of the way
- Provides quick wheels-free convenience for brake and tire service and clear undercarriage access of all types of vehicles
- Low-profile jack frames fit under most race cars
- Powerful hydraulic cylinders eliminate the need for screw mechanisms
- Integrated power-assist canisters increase the lowering speed
- Hydraulic cylinders feature integrated velocity-fuse safety valves
- A metal carrier with handle keeps the power unit protected and easily mobile
- Eight adjustable and stackable rubber lift blocks support cars at precise locations for increased stability and safety
- Detailed installation, maintenance and safety instructions accompany each QuickJack system.
- Durable powder coat finish



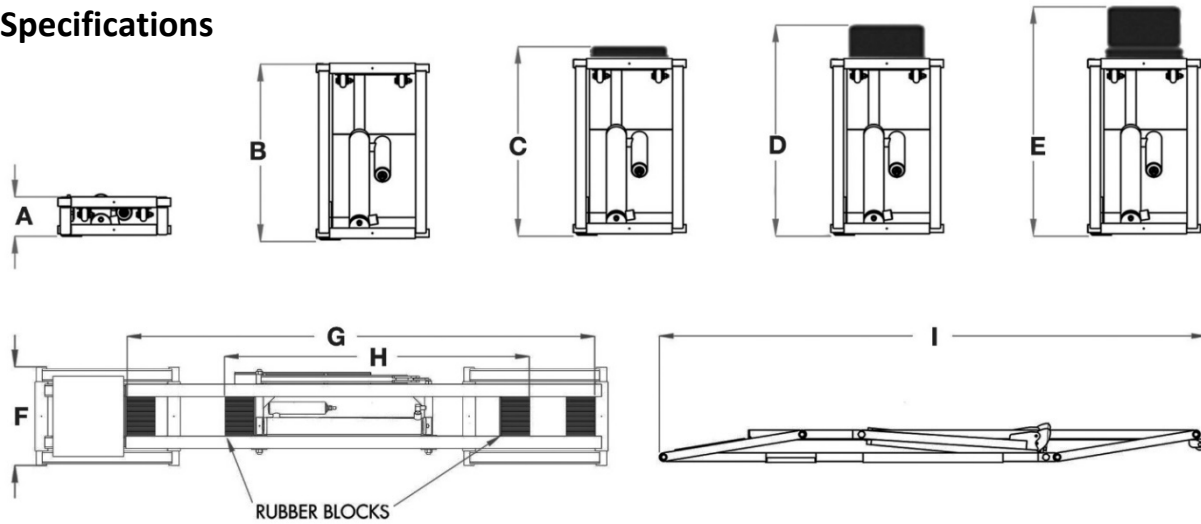
Complete Standard Package



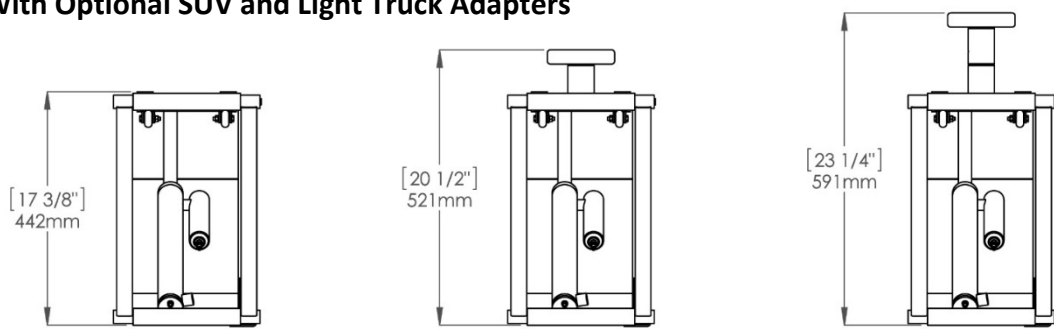
Optional SUV and Light Truck Adapter Kit



Specifications



With Optional SUV and Light Truck Adapters



MODEL	BL-5000SLX
Lifting capacity per pair	5,000 lbs. / 2268 kg.
(A) Minimum collapsed height	3" / 76 mm.
(B) Platform lifting height (Frame only)	17.2" / 437 mm.
(C) Platform lifting height (with small rubber block)	17.8" / 452 mm.
(D) Platform lifting height (with tall rubber block)	19" / 483 mm.
(E) Platform lifting height (with stacked rubber blocks)	22.5" / 572 mm.
(F) Frame width	11" / 278 mm.
(G) Rubber lift block position - max. spread	60" / 1524 mm.
(H) Rubber lift block position - min. spread	31.5" / 800 mm.
(I) Overall frame length	72.5" / 1841 mm.
Individual jack frame - net weight (ea.)	76 lbs. / 34 kg.
Power unit/carrier complete - net weight	35 lbs. / 16 kg.
Gross weight	212
Noise emission	<45dBA
POWER UNIT OPTIONS	
12-Volt DC	
110-Volt AC 60hz (Not available for sale in Europe)	
208-230v 50/60hz (Not available for sale in Europe)	
208-240v 50hz (Not available for sale in Europe)	