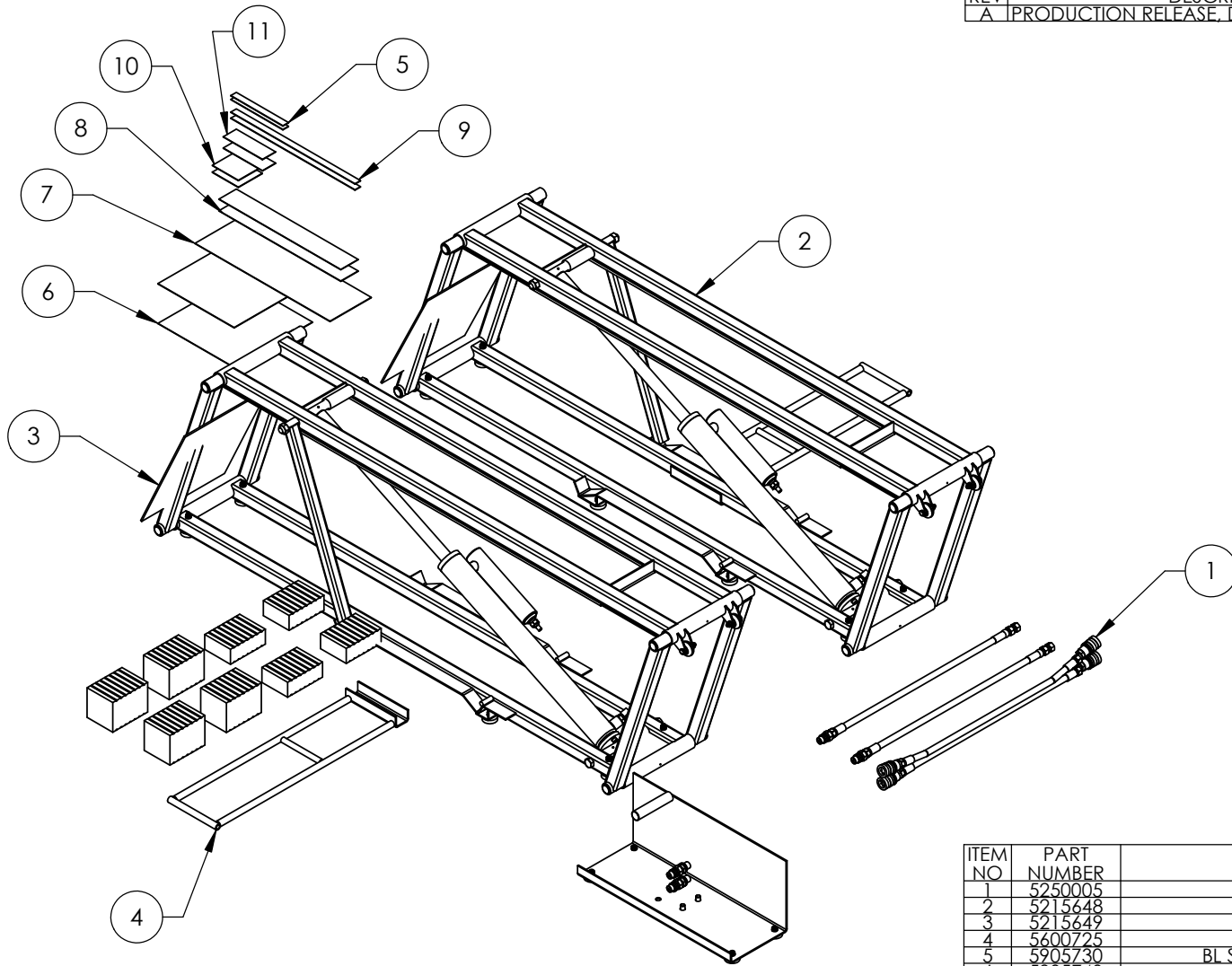



REV		DESCRIPTION		REVISION		DATE	EDITED BY	ECO#
A		PRODUCTION RELEASE, DERIVED FROM 5260099				01/28/2014	TM	100633



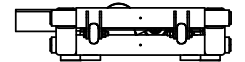
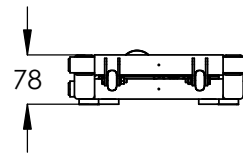
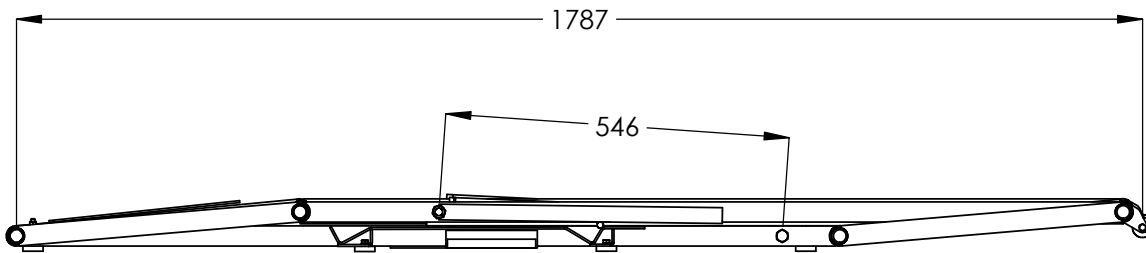
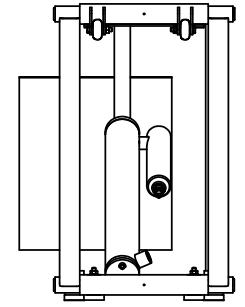
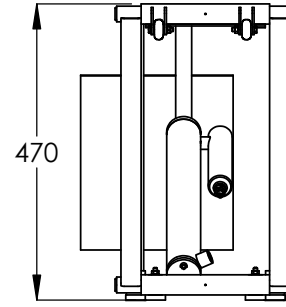
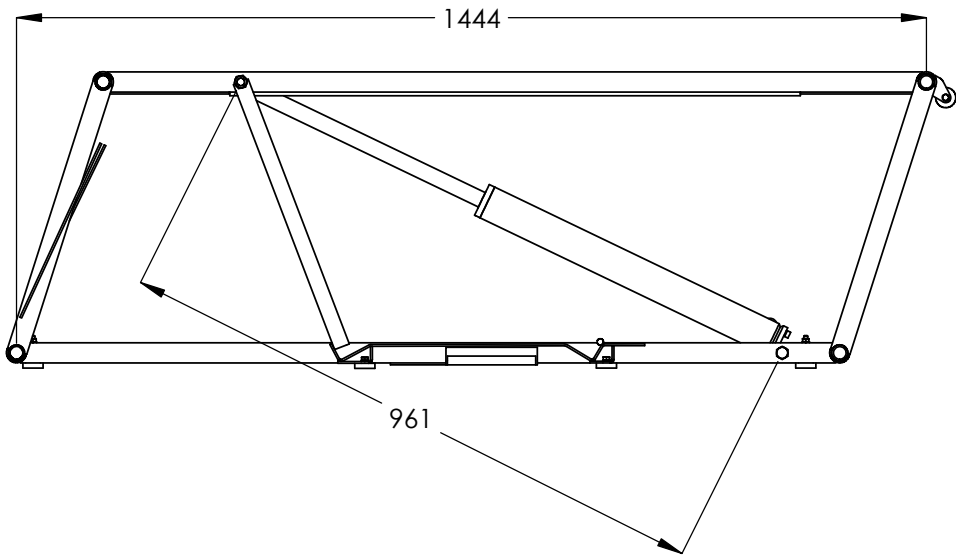
ITEM NO	PART NUMBER	DESCRIPTION	QTY	REV
1	5250005	BL SERIES PARTS BOX	1	A
2	5215648	BL-5000 FRAME ASSEMBLY, R.H.	1	A
3	5215649	BL-5000 FRAME ASSEMBLY, L.H.	1	A
4	5600725	BL SERIES HANDLE WELDMENT	2	B
5	5905730	BL SERIES SAFETY BAR WARNING LABEL	2	-
6	5905740	BL SERIES CAUTION LABEL	2	-
7	5905735	BL SERIES WARNING INSTRUCTION LABEL	1	-
8	5905745	BL SERIES CYLINDER DECAL	2	-
9	5905750	BL SERIES CAUTION, KEEP HANDS CLEAR	2	-
10	5905765	BL SERIES DO NOT DRIVE ON LABEL	2	-
11	5905770	BL SERIES DANGER / WARNING LABEL	2	-

DO NOT SCALE DRAWING		NAME	DATE	1645 LEMONWOOD DR. SANTA PAULA, CA 93060	
DIMENSIONS ARE IN MM		DRAWN	TM 01/28/2014		
		CHECKED		TITLE: BL-5000 PRODUCTION LIFT VER B	
		THIRD ANGLE PROJECTION			
MATERIAL:	---			SIZE	DWG. NO.
SIZE:	---			A	5260238
				REV	A
				SCALE: 1:14	SHEET 1 OF 3

NOTE: UNLESS OTHERWISE SPECIFIED.

1. SEE SHIPPING INSTRUCTIONS FOR FINAL PACKAGING

PROPRIETARY AND CONFIDENTIAL
THE INFORMATION CONTAINED IN THIS DRAWING IS
THE SOLE PROPERTY OF BENDPAK INC. ANY
REPRODUCTION IN PART OR AS A WHOLE WITHOUT
THE WRITTEN PERMISSION OF BENDPAK INC. IS
PROHIBITED.



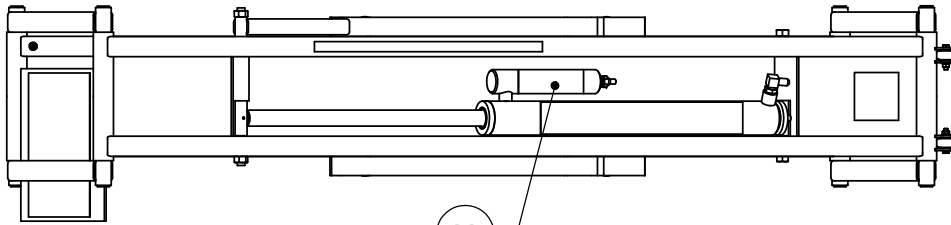
1645 LEMONWOOD DR.
SANTA PAULA, CA 93060

TITLE:
BL-5000 PRODUCTION
LIFT VER B

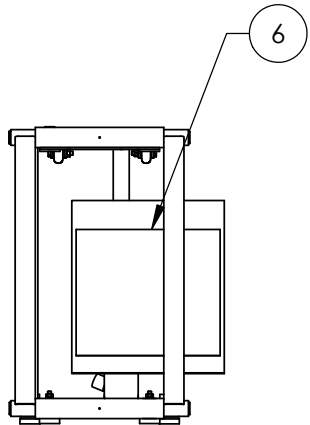
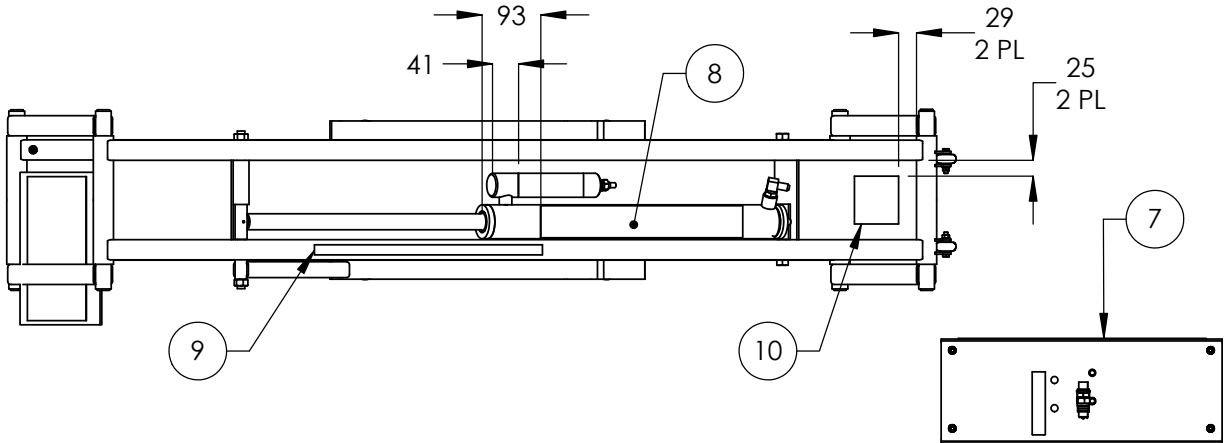
SIZE	DWG. NO.	REV
A	5260238	A

SCALE: 1:12

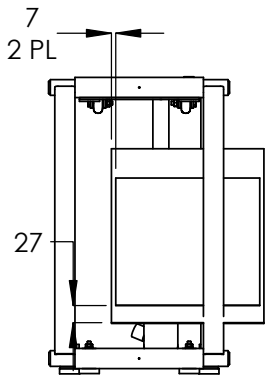
SHEET 2 OF 3



11

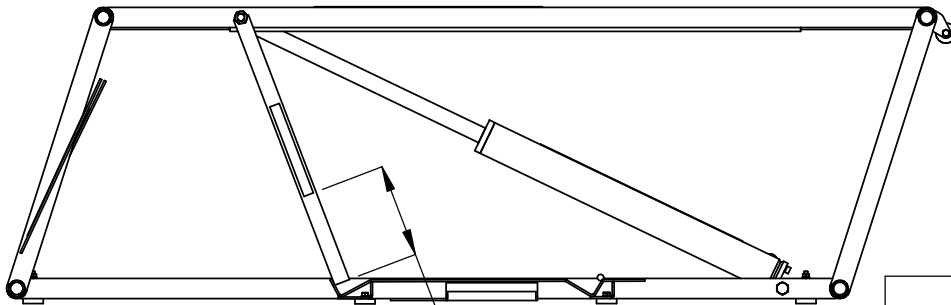


6

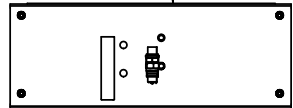


7
2 PL

27



149
2 PL



7

1645 LEMONWOOD DR.
SANTA PAULA, CA 93060

TITLE: BL-5000 PRODUCTION
LIFT VER B

SIZE	DWG. NO.	REV
A	5260238	A

SCALE: 1:12

SHEET 3 OF 3